

Visit us online now:  
torreypinesscientific.com

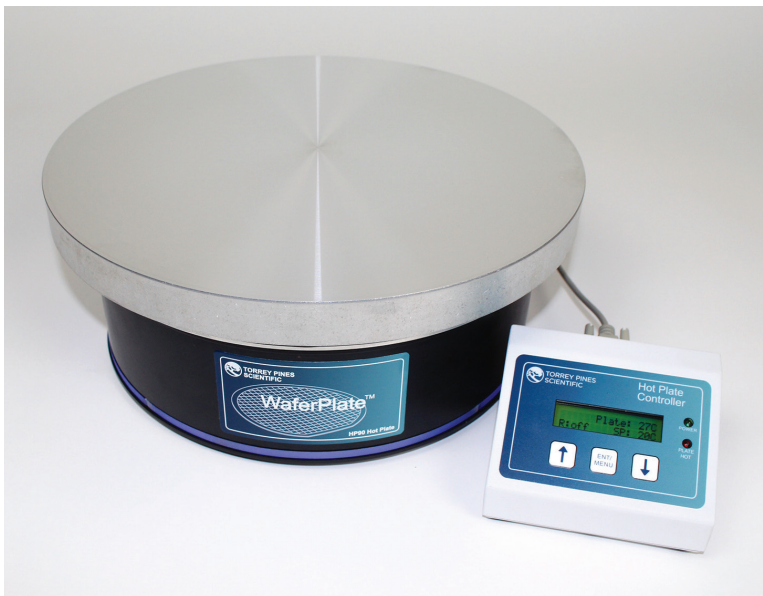
**760-930-9400**

Toll Free within the USA:  
866-573-9104

## PRODUCT DATA SHEET

# MODEL HP90 WAFERPLATE™ PROGRAMMABLE DIGITAL HOT PLATE

Large circular 13.875" (352.4 mm) milled-flat aluminum surface with temperature uniformity better than 1% across the entire surface. Designed specifically for working with 12" (304.8 mm) silicon wafers and other samples where temperature accuracy and surface uniformity is a must.



Model HP90 WaferPlate  
with Controller

- Temperature range from room temperature to 350°C
  - Readable and settable to 1°C
  - Accuracy 1% of setting
  - Uniformity of temperature from the middle of the plate surface to within 0.75" of sides better than 1%
  - Temperature stability +/- 1°C
  - Calibrated to 0.1°C for guaranteed accuracy
  - Remote controller enables storing 5 individual programs with up to 10 steps per program for a variety of hands-off, repeatable sample runs
  - Programs automatically repeatable from 1 to 99 times or infinitely if wanted
  - Ramp temperature up or down at 1°C increments from 1°C to 450°C per hour
  - 1500 watts of heater power
  - Unique temperature indicator lighting ring at bottom sides of chassis. Colors change from blue (no temperature target), to yellow (when heating below 50°C) to red (when heater plate surface is above 50°C)
  - Built-in countdown timer to 99 hours with audible alarm and user settable Auto-Off
  - UL, CSA, and CE approvals pending
- 13.875" (352.4 mm) diameter circular heater surface. Milled flat plate aluminum. Ideal for 12" (304.8 mm) or smaller silicon wafers
  - Controllable remotely from a PC or industrial controller via RS232 I/O port with full access to all parameters and data
  - Bench top controllable and programmable using the remote controller provided



**TORREY PINES  
SCIENTIFIC**

Degrees **Better**

2713 Loker Avenue West, Carlsbad, CA 92010  
Tel: 760-930-9400 | Toll Free within the USA: 866-573-9104  
Fax: 760-930-9480  
info@torreypinesscientific.com

Visit us online now:  
torreypinsscintific.com

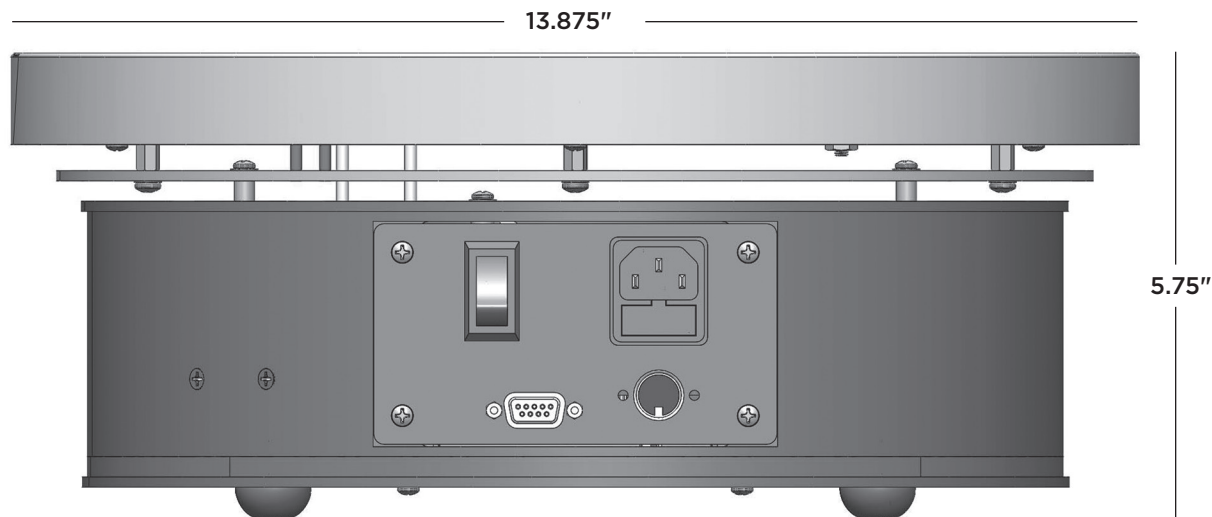
760-930-9400

Toll Free within the USA:  
866-573-9104

PRODUCT DATA SHEET

# MODEL HP90

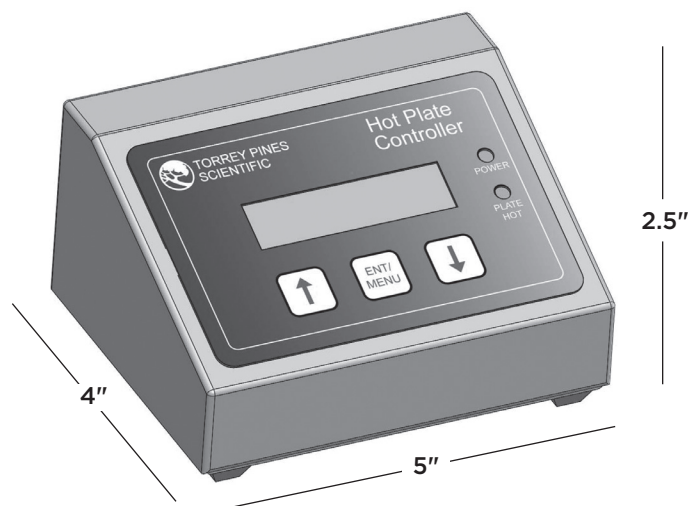
## WAFERPLATE™ HEATER MODULE AND CONTROL MODULE



### HEATER MODULE DIMENSIONS

13.875" (352.4 mm) diameter x  
5.75" (146 mm) tall

Weight: 21.5 pounds (9.54 kg)



### CONTROL MODULE DIMENSIONS

5" (127 mm) wide x 2.5" (63.5 mm)  
tall x 4" (101.6 mm) deep

Weight: 1.5 pounds (0.54 kg)